

# DIMENSION DRAWING

CUSTOMER \_\_\_\_\_

ADDRESS \_\_\_\_\_

CUSTOMER ORDER NUMBER \_\_\_\_\_

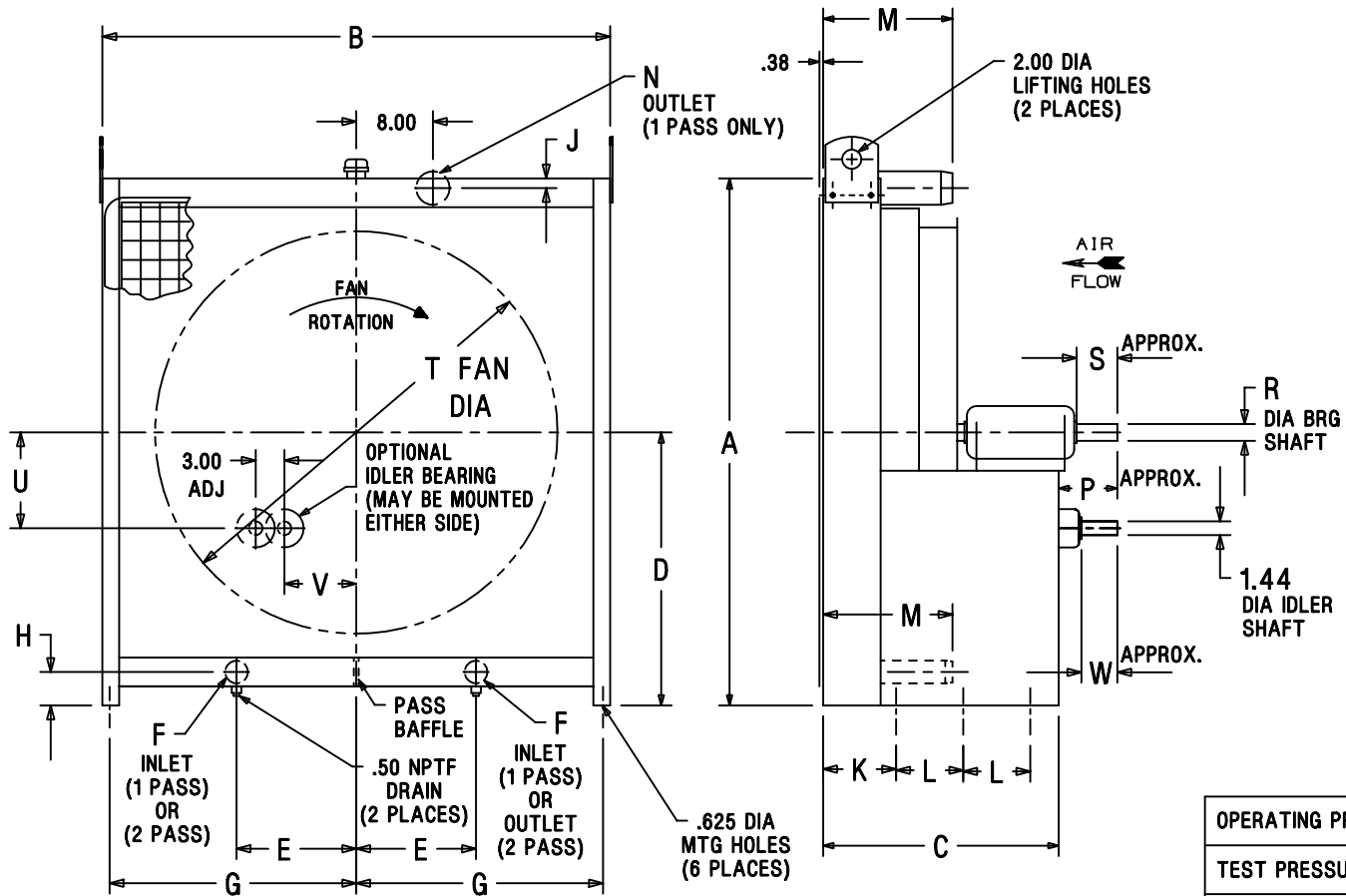
YOUNG TOUCHSTONE ORDER NUMBER \_\_\_\_\_

YOUNG TOUCHSTONE PART NUMBER \_\_\_\_\_

YOUNG TOUCHSTONE MODEL NUMBER \_\_\_\_\_

PER \_\_\_\_\_

DATE \_\_\_\_\_



PAINT-ONE COAT PRIMER GRAY ENAMEL

NOTE: DIMENSIONS ARE IN INCHES

OPERATING PRESSURE	200 PSI
TEST PRESSURE	300 PSI
MAXIMUM OPERATING TEMPERATURE	400 F

MODEL	A	B	C	D	E	F	G	H	J	K	L	M	N	P	R	S	T	U	V	W
OCS-1000E	48.00	45.00	20.69	25.00	10.50	2 NPTF	21.75	3.50	1.00	7.38	6.00	13.50	3 NPTF	6.12	1.75	4.25	36.00	10.00	7.50	3.75
OCS-1500E	55.00	53.00	20.69	28.50	12.50	2 NPTF	25.75	3.50	1.00	7.38	6.00	13.50	3 NPTF	6.12	1.75	4.25	42.00	10.00	7.50	3.75
OCS-2000E	64.00	59.50	22.69	33.00	15.00	3 NPTF	29.00	4.50	1.50	9.38	6.00	15.50	4 NPTF	6.12	1.75	4.25	48.00	10.00	7.50	3.75
OCS-2500E	72.00	67.25	32.28	37.00	16.00	3 NPTF	32.87	4.50	1.50	7.50	10.00	15.50	4 NPTF	5.06	2.19	4.50	54.00	10.00	7.50	4.00
OCS-3100E	78.00	69.50	29.56	40.00	17.00	3 NPTF	34.00	4.50	1.50	10.81	8.00	15.50	4 NPTF	6.72	2.19	4.50	60.00	11.16	9.25	4.00

YOUNG TOUCHSTONE

JACKSON, TENNESSEE 38308-7568

OCS - EXTERNAL DRIVE

FORM X361183 8-1-01